



PERSONAL LINES PROPERTY SOLID FUEL HEATING QUESTIONNAIRE

CLEAR PHOTOGRAPHS & QUESTIONNAIRE REQUIRED FOR EACH INSTALLATION (STOVES AND CHIMNEYS)

Date: _____ Broker Name: _____
 Insured Name: _____ Broker Number: _____
 Policy Number: _____ Inspected By: _____
 Dwelling Location: _____ Telephone No.: _____

HEATING UNIT

Building appliance is installed in: Dwelling Garage Workshop Other _____
 If in Dwelling, where? Main Floor Basement Porch Other _____
 Manufacturer _____ **Appliance Type**
 Model _____ Woodstove, Airtight Wood Furnace
 Age _____ Woodstove, Not Airtight Wood Furnace, Add On
 Is the Heating Unit: Primary Auxiliary Fireplace Insert Fireplace, Zero Clearance
 Quantity of Fuel Used _____ Other (Specify) _____
 Is the Unit Certified? Yes No Approved for Mobile Homes? Yes No
 If Yes, by: Canadian Standards Association (CSA) Underwriters' Laboratories of Canada (ULC)
 Warnock-Hersey Prof. Service Ltd. Other (Specify) _____

CHIMNEY

Type Masonry Concrete Block Brick Built from Ground Bracket
 Factory Built Double Walled Metal Chimney Other (Specify) _____
 Manufacturer _____
 Certified for Wood Burning Appliances bearing the ULC-S629M Label? Yes No
Labeled Canadian Standards Association (CSA) Underwriters' Laboratories of Canada (ULC)
 Warnock-Hersey Prof. Service Ltd. Other (Specify) _____
 If No label, explain _____
 Chimney Lining: Clay Tile Lining Factory Stainless Steel Other (Specify) _____
 Age and General Condition _____
 Chimney is installed: Inside Building Outside Building
 Does unit share a chimney flue with any other appliance? Yes No If Yes, explain.

How often is chimney cleaned per heating season? _____ Date last cleaned _____
 Distance from Chimney to Combustibles _____ inches

INSTALLATION

Was the unit installed by a Heating Contractor? Yes No If No, complete below
 Firm or Individual _____
 Was the chimney installed by a Heating Contractor or Masonry Contractor? Yes No If No, complete below
 Firm or Individual _____
 Has the installation, including the chimney, been inspected by someone who is WETT certified? Yes No
 Have any modifications been made? Yes No If Yes, explain _____
 Does stove pipe pass through a concealed space? (e.g. Closet, Attic, Floor, Wall) Yes No
 Are ashes from appliance disposed of in a non-combustible container? Yes No If No, explain

Indicate Approved Clearances (see label or installation manual)

Sides _____ inches Front Side _____ inches Corner _____ inches
 Back Side _____ inches Top Side _____ inches

Floor Protection:

Sides _____ inches Front _____ inches Back _____ inches

Note: This section is for the manufacturer's approved clearances as indicated on the label or brochure. The "actual" clearances are to be shown on the diagram below.

**COMPLETE ALL MEASUREMENTS AS PER APPLICABLE INSTALLATION ON THE DIAGRAM BELOW
 ALL DISTANCES ON DIAGRAMS ARE TO BE MEASUREMENTS TAKEN FROM THE PARTICULAR INSTALLATION**

Describe construction of ceiling _____

Distance from top of stove to ceiling _____ inches

Describe construction of side wall _____

Distance from stove to nearest side wall _____ inches

Construction of Floor _____

Is there a non-combustible floor pad? Yes No

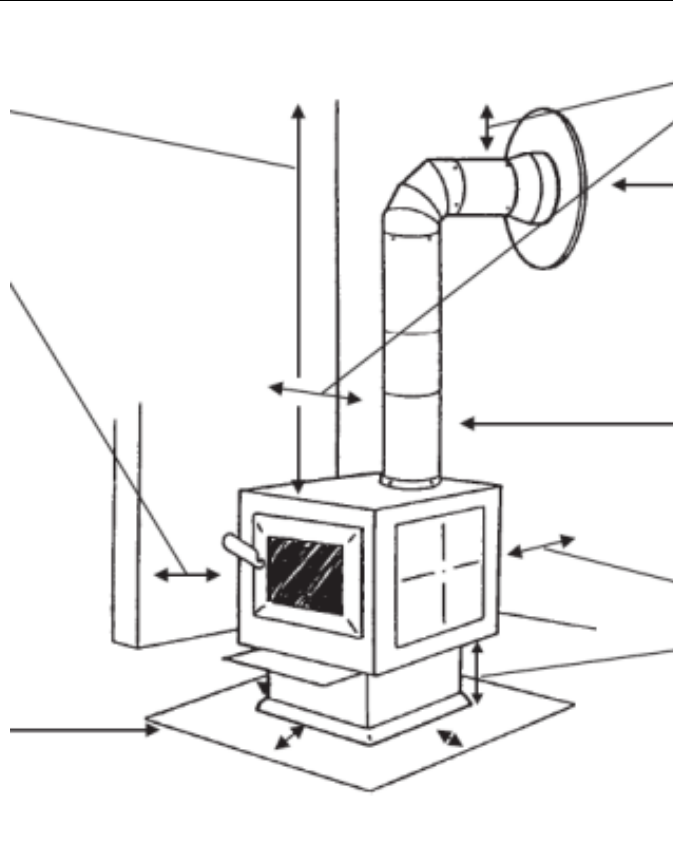
Type of Floor Protection _____

Distance from end of floor protection to stove:

Front _____ inches

Side _____ inches

Back _____ inches



Distance from stovepipe to ceiling _____ inches
 wall _____ inches

Is there a thimble/chimney connector where stovepipe passes through wall or ceiling?
 Yes No

Describe construction of back wall _____

Total length of stovepipe _____ inches

Construction of stovepipe
 Galvanized Black Steel
 Single Wall Double-lines

Distance from stove to back wall _____ inches

Distance from bottom of stove to floor protection:

_____ inches

Distance from stove to furniture, fuel or other combustible material _____ inches

If Shielded Installation, please answer the following:

Type and thickness of shield _____

Construction of spacers _____

Distance from wall to shield _____ inches

Distance from top of stove to top of shield _____ inches

Distance from back of stove to back of wall behind stove _____ inches

Distance from side of stove to wall behind shield _____ inches

Distance from heat shield to floor _____ inches

Distance from front of stove to front of shield _____ inches

COMMENTS _____

Completed By _____ Date _____